



REFRIGERATION

SERVING THE FOOD INDUSTRY SINCE 1951

26-INCH SINGLE DOOR GLASS REFRIGERATOR

Item: 24271 Model: RE-CN-0014



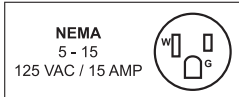
THE PERFECT SOLUTION TO EXHIBIT COLD MERCHANDISE

Omcan's 26-inch single door glass refrigerator is perfect for your products, with the outside material made from painted steel. Its crystal clear, self closing door is perfect to see the products inside. It also features automatic defrosting and high density polyurethane insulation.



WARRANTY

2 YEARS PARTS & LABOR
5 YEARS ONLY ON COMPRESSOR



Authorized Dealer

REFRIGERATION

26-INCH SINGLE DOOR GLASS REFRIGERATOR 24271



TECHNICAL SPECIFICATION

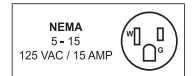
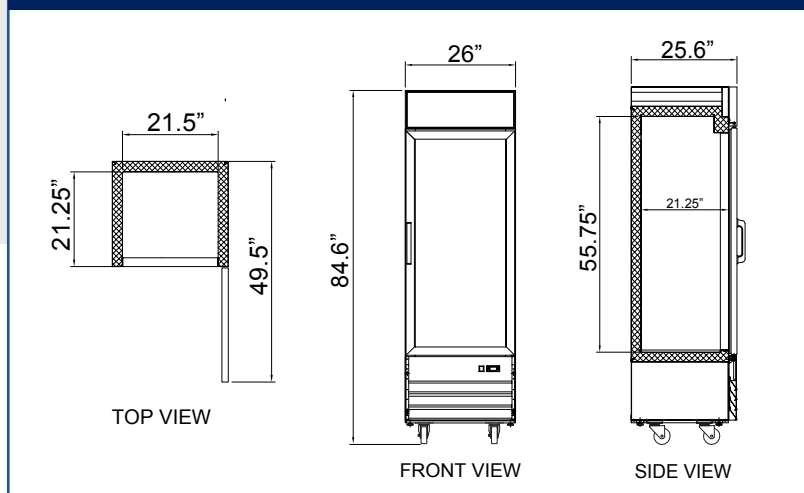
ITEM NUMBER	24271
MODEL	RE-CN-0014
DESCRIPTION	Single Door Glass Refrigerator
TEMPERATURE RANGE	0°C - 10°C / 32°F - 50°F
MAX AMBIENT TEMP RATING	90°F
POWER	0.63 HP / 0.47 kW
PHASE	1
ELECTRICAL	110 V / 60 Hz / 1Ph
AMPS	7.2
REFRIGERANT	R134a
ISOLATION MATERIAL	R141b
COOLING SYSTEM	Ventilated
NUMBER OF DOORS	1
NUMBER OF SHELVES	4
SHELF CAPACITY	90 lbs. / 41 kg.
EXTERIOR DIMENSIONS (WDH)	26" x 25.6" x 84.6" 660 x 650 x 2149 mm
INTERIOR DIMENSIONS (WDH)	21.25" x 19.29" x 55.75" 540 x 490 x 1416 mm
PACKAGING DIMENSIONS	28.74" x 29.53" x 87" 730 x 750 x 2210 mm
NET VOLUME	348 L / 12.3 cu. ft.
NET WEIGHT	308 lbs. / 140 kg.
GROSS WEIGHT	346 lbs. / 157 kg.



Features:

- Outside material: Painted steel
- Self-closing doors
- Plastic coated steel shelves with shelf tag holder
- Automatic defrosting
- Polyurethane insulation
- Removable door gasket
- European controller and compressor
- Shelf Capacity: 90 lbs. / 41 kg.
- Temperature range: 0°C - 10°C / 32°F - 50°F

TECHNICAL DRAWING AND DIMENSIONS



OMCAN INC.

Telephone: 1-800-465-0234
 Fax: (905) 607-0234
 Email: sales@omcan.com
 Website: www.omcan.com



Follow us to keep up to date with the latest news and offers



2015.E.O.E